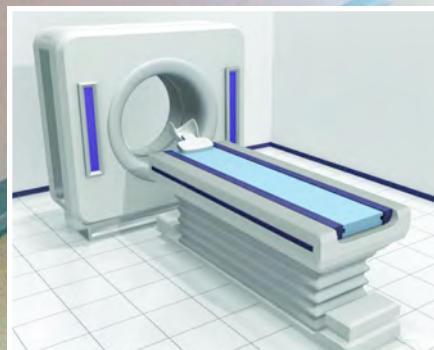


Medicare Range

Hygienic Doors for the Healthcare Sector



Applications:

- Operating Theatres
- Aseptic Suites
- Recovery Rooms
- Isolation Wards
- Pharmacies
- Accident & Emergency
- High Dependency/ICU
- Kitchens
- Mortuaries

The leading global supplier of Hygienic Door Systems

Hermetic Doors Sliding • Single or pairs

These doors create 99% air seal ensuring better control of air handling systems and reducing cross contamination through air flow.

Fire Doors Hinged or sliding • Single or pairs

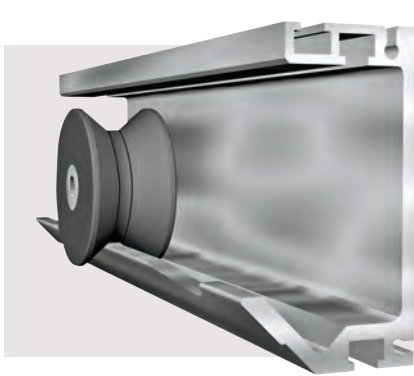
Tested to BS 476 part 22 and EN 1634 and used to create fire breaks and escape routes these doors combine safety without compromising the high standard of hygiene demanded in healthcare facilities.

Automated Doors Sliding • Single or pairs

Automations are an essential part in fighting the spread of hospital infections by eliminating the need to touch doors. All our range of doors can be automated with safe reliable operators activated by infra red or touch less sensors.

X-Ray Doors Sliding • Single or pairs

Single sliding and single action doors can be provided with lead protection to meet your X-ray requirements.



MF5 Hermetic Sliding Door

- 99% air seal
- Fire Resistant up to 60 min
- Patented track system



Hermetic Track System

The unique patented track system is angled at 45 degrees and special indentations allow the bearings to roll *down* and *in* enabling the door using its own weight to seal perfectly against the frame and floor.

'F TYPE' Fire Doors

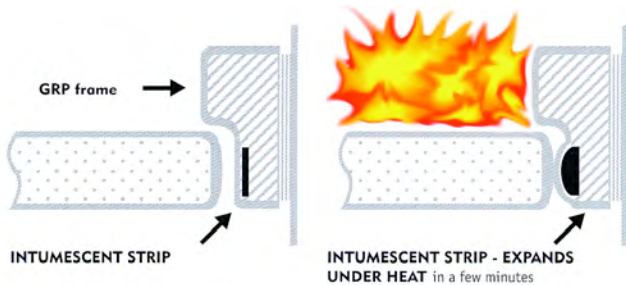
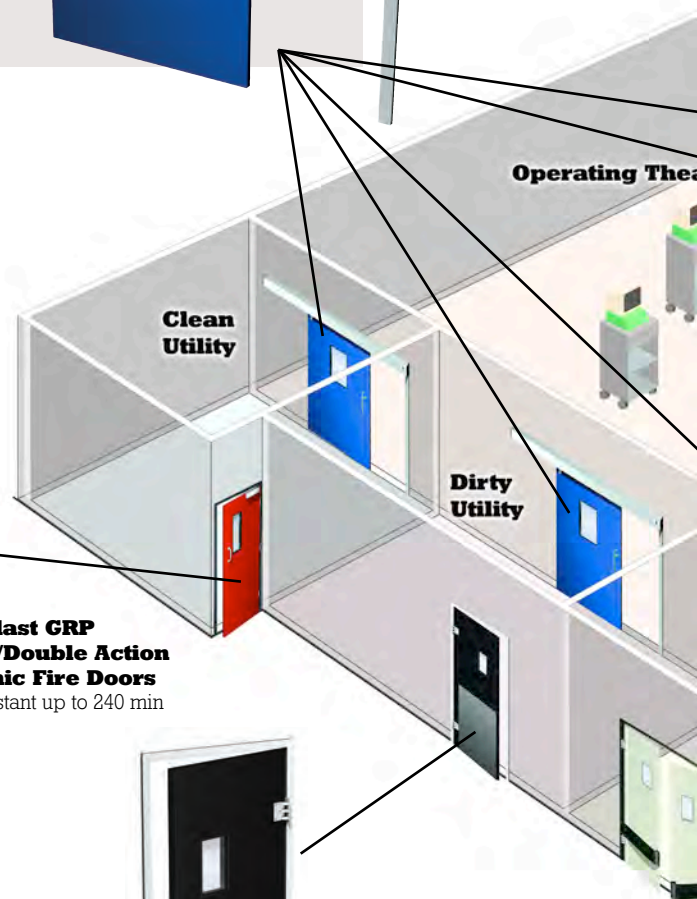
Hinged or sliding • Single or pairs

- GRP seamless moulded - no ledges or seams - 40 mm thick
- GRP frames with patented concealed intumescent strip
- Integral colour
- Up to 5 hours fire resistance
Tested to EN1634
Tested to BS 476 part 22
- Wide range of factory fitted ironmongery, vision panels and protection
- Manual or automatic



Wen-plast GRP Single/Double Action Hygienic Fire Doors

Fire resistant up to 240 min



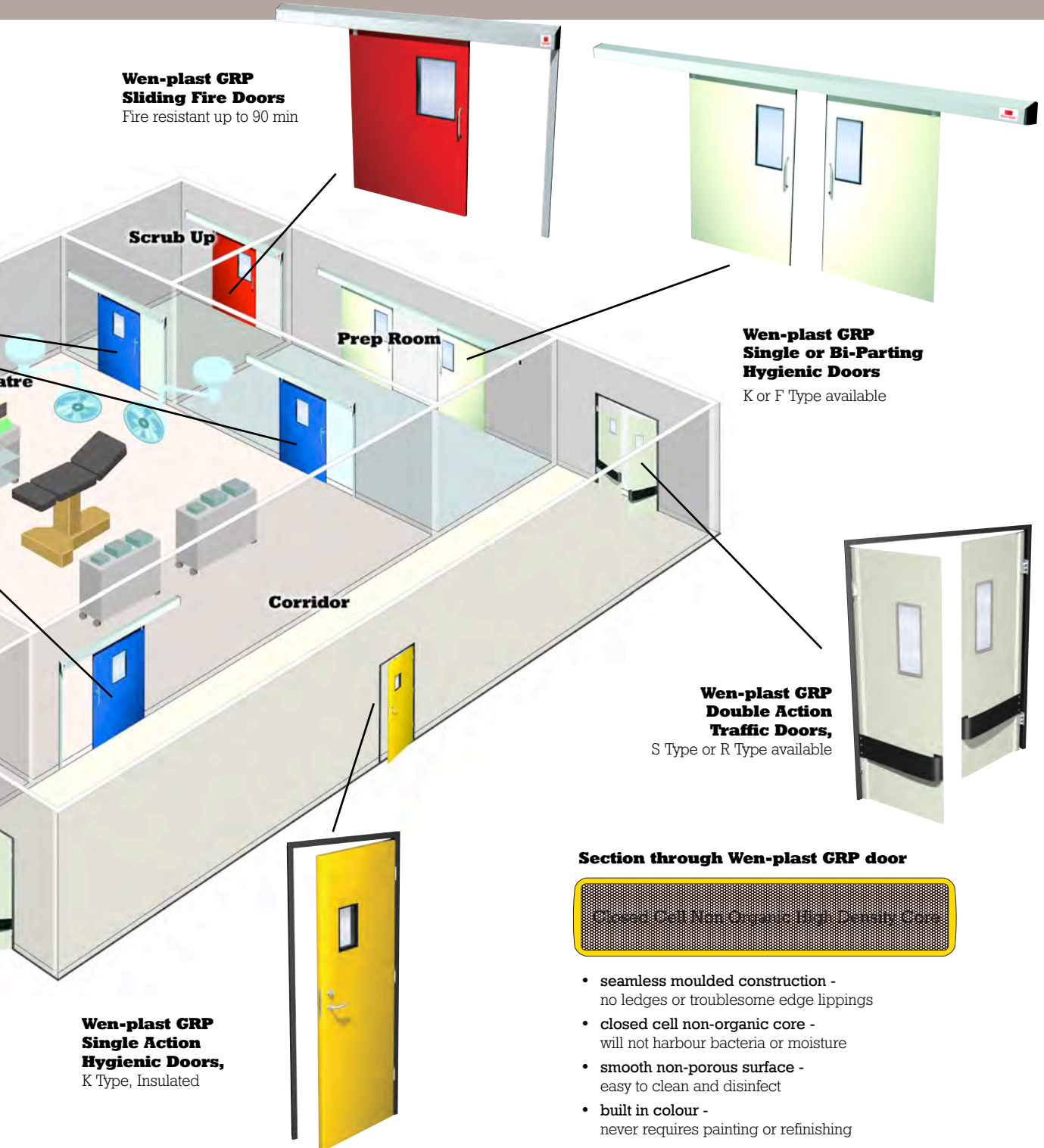
Dortek patented concealed intumescent strip



Wen-plast GRP Double Action Hygienic Doors

K type, Insulated

Operating Theatres
 Aseptic Suites
 Recovery Rooms
 Isolation Wards
 Pharmacies
 Accident & Emergency
 High Dependency/ICU
 Kitchens
 Mortuaries



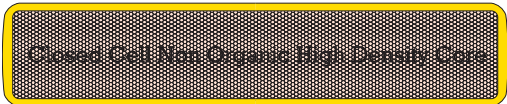
Wen-plast GRP Sliding Fire Doors
 Fire resistant up to 90 min

Wen-plast GRP Single or Bi-Parting Hygienic Doors
 K or F Type available

Wen-plast GRP Double Action Traffic Doors,
 S Type or R Type available

Wen-plast GRP Single Action Hygienic Doors,
 K Type, Insulated

Section through Wen-plast GRP door



- seamless moulded construction - no ledges or troublesome edge lippings
- closed cell non-organic core - will not harbour bacteria or moisture
- smooth non-porous surface - easy to clean and disinfect
- built in colour - never requires painting or refinishing

Seamless Free Hygienic Performance

Other door systems from DorteK



Chill/Freezer



Fast Acting



Gas Tight



Acoustic

Frame Options

- GRP frame
- Fire rated GRP frame with patented concealed intumescent strip
- Various stainless steel frames
- Aluminium wrap-around frame for wall panels



GRP frame



Wrap around aluminium or stainless steel frames

Installation & Service

All installations and service calls are carried out by our own fully trained engineers.

Service contract details are available on request



Mobile Exhibition Vehicle. With full working models of our hygienic door systems. Available for CPD presentations and site visits. Contact DorteK to arrange a booking.



www.lspinc.com