

ULTRA CLEAN

Completely smooth and seamless gelcoat finish which is non porous and non shedding. Free from organic materials, ledges, recesses or right angles for flawless hygiene.

OPTIMUM PERFORMANCE

Proven to maximise efficiency, safety and hygiene in the most demanding environments. These doors will not rot, rust, swell, warp or corrode. Designed to meet FDA and cGMP requirements.

EXTREME DURABILITY

Exceptionally strong, lightweight and impact resistant. These doors outperform wood and steel alternatives, bringing you a lifetime of durability and the ultimate cost effective solution.

100% WATERPROOF

In-organic closed cell core which does not corrode or absorb moisture. Remains unaffected from exposure to water, steam and chlorine; even after decades of use.

SUPER CHEMICAL RESISTANT

Smooth, sealed, non absorbent surface which is easy to clean. Excellent resistance to most disinfectants, solvents and strong chemicals including H2O2.

UNCOMPROMISING QUALITY

Engineered to offer supreme quality and reliability. We can offer a 25 year guarantee on our door blades*.

COMPLETE TURNKEY SYSTEM

Dortek provides complete access solutions which are individually crafted to meet your specification. We offer a choice of colored door panels, frames, hardware, vision panels, access controls, automations and interlocking.



Hygienic Swing Doors

Double Action - Seamless Molded Fiberglass Non Fire Rated, Manual



LEADING EDGE TECHNOLOGY FOR SUPERIOR HYGIENE PERFORMANCE

Dortek's hygienic door systems are manufactured using cutting edge technology and a revolutionary closed mould process. This creates a strong, uniform product with no seams or joins on the door surface and no voids, holes or crevices within for bacteria to harbor.

We are market specialists; with over 45 years experience in providing high performance door solutions to the worlds leading pharmaceutical, food and healthcare companies.

We understand the unique and stringent requirements of high hygiene environments. We understand ait flows, contaminants and local regulations. We know what works and what doesn't. Our product portfolio offer a comp clients comprehensive single source for all doors, hardware and automations on a project.

Dortek is recognised throughout the markets we serve for its commitment to innovation, quality and customer care. Our clients trust our specialist expertise to find the right solution for every project and every door and o deliver that solution on time and to budget.

TECHNICAL FEATURES

DOORBLADE

Seamless fiberglass encapsulating a high density closed cell CFC/HCFC free fire resistant core. 0.771 W/m²K. Total thickness 40mm. Moisture absorption zero.

SIZES

Molded in 11 standard widths and four heights. Also available for special order in any non-standard height.

FRAMES

- Available in 4 frame types: FRP, SS, Aluminium or Powder Coated Steel.
- Seamless glass fiber reinforced polyester with insert for screw fixing direct to structure.
- Satin anodised or powder coated
- white adjustable width aluminium frame, incorporating a neoprene seal for screw fixing to a sub frame.
- Alternatively stainless steel frames for fixing to installation panel and blockwork. Doors can be supplied for fixing to clients own frames.

HINGES

- Delrin self lubricating nylon spring hinges with 180 degree swing. Self closing or hold open.

FINISH

- Easy to clean, maintenance free, smooth, non porous gelcoat surface with built in choice of 20 colors.
- Available with antibacterial protection.
- Designed to withstand all typical cleaning methods including hydrogen peroxide.

OPTIONS

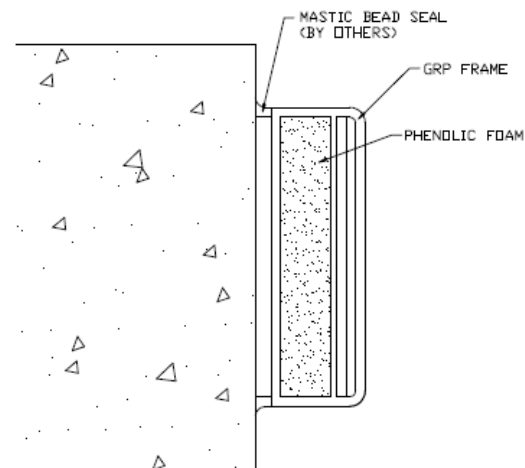
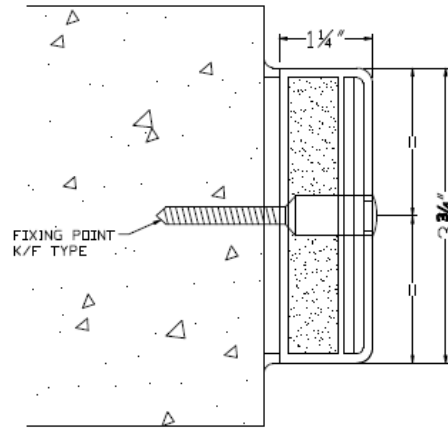
- Factory fitted hardware and door protection.
- Flush vision panels with integral blinds, smart glass or x-ray and laser protection.
- Automations & Interlocking.

GENERAL

Doors are supplied pre-hung and fully fitted out for easy site installation.



Hygienic Swing Doors



Seamless Fiberglass Door Panel

Optional Flush Vision Panel

Factory fitted Hardware

Life Science Products, Inc
124 Speer Road
Chestertown, MD 21620
800-638-9874
www.lspinc.com

bimready

NSFPlus

CENTRE FOR
CONTINUING EDUCATION

THE HALL OF
FAMOUS BUILDERS