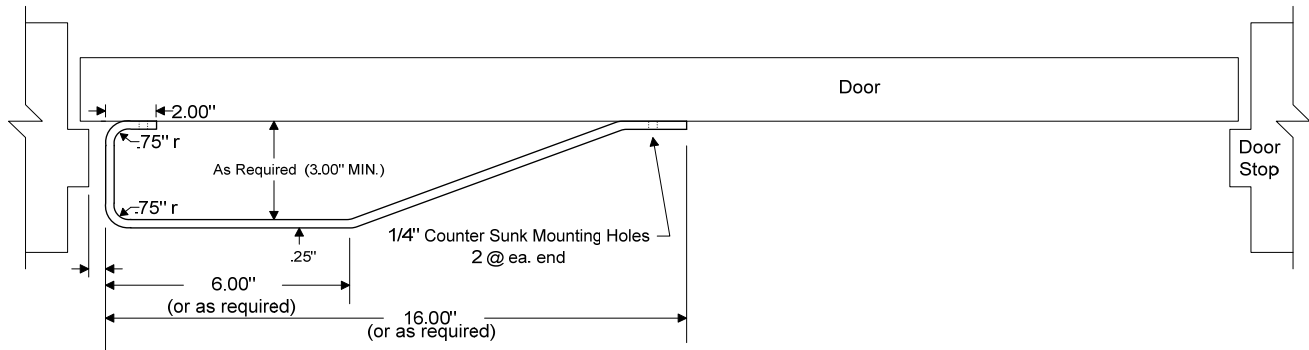


DIVISION \_\_\_\_\_

Specification Section # \_\_\_\_\_

**Flush Mount Tapered Reverse Flange Stainless Door Handle Protector: SSHPFMTRF**



Specify: 1/4" x 3", 1/4" x 4" or 1/4" x 6" 304 Stainless Alloy

Stainless, door mounted protection designed to guard the door handles from high impact.

**Materials:** Rail

- 1 Material: Material shall be 1/4 inch x **(specify 3 inch, 4 inch or 6 inch)** type 304 stainless steel extruded true bar with edges chamfered to .031" minimum radius. Material specifications shall conform to ASTM A-276. The studs used for mounting the rail to the bracket shall be welded to the back side of rail. Federal specification QQA-200/8.
- 2 Finish: Finish shall be #4 polish.

**BRACKET MATERIAL:** NO BRACKETS NEEDED

**MOUNTING HARDWARE:** AS RECOMMENDED BY MANUFACTURER

**Flush mount handle protector:** Stainless Door Handle Protector Flush Mount Tapered with Reverse Flange: SSHPFMTRF